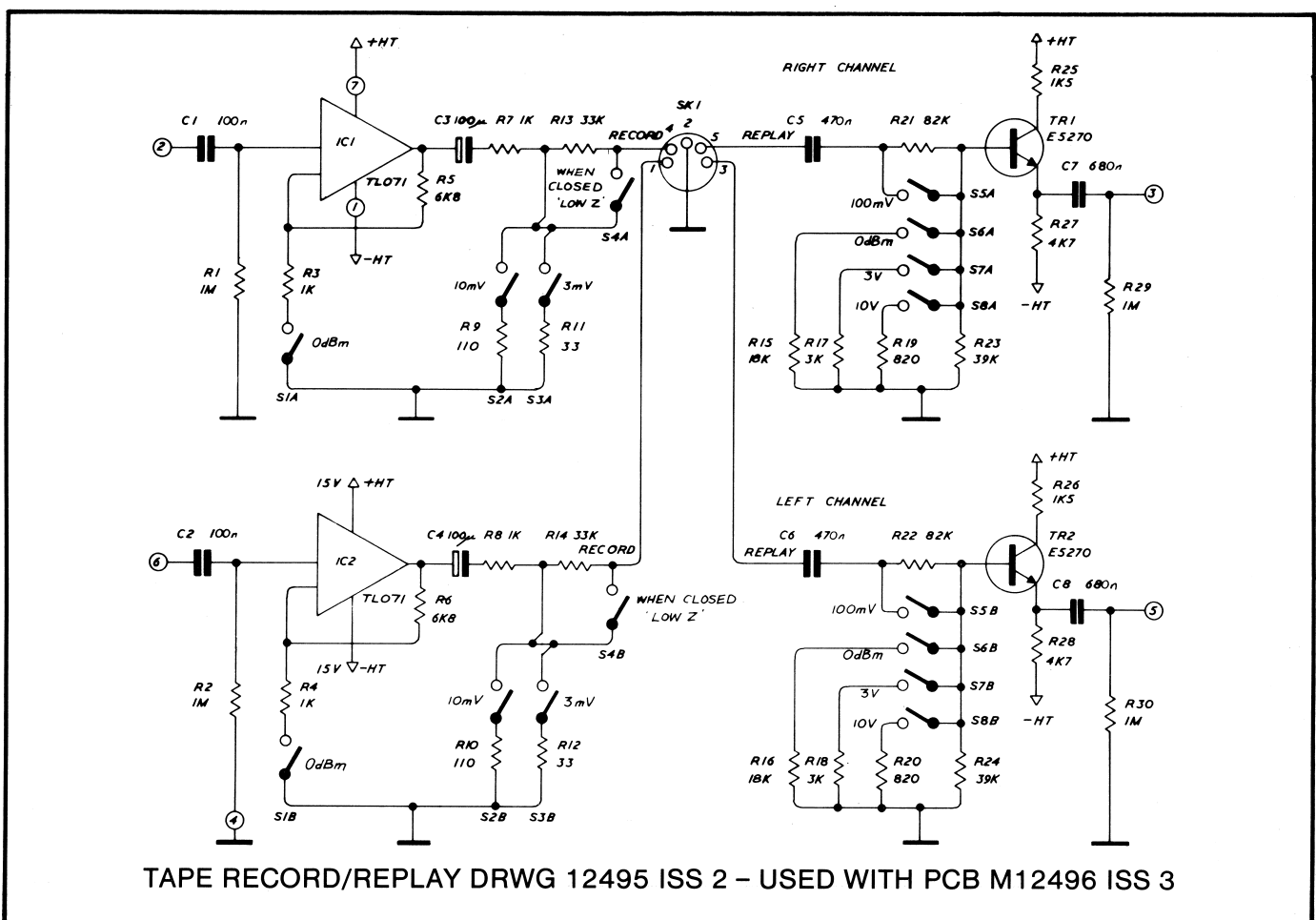
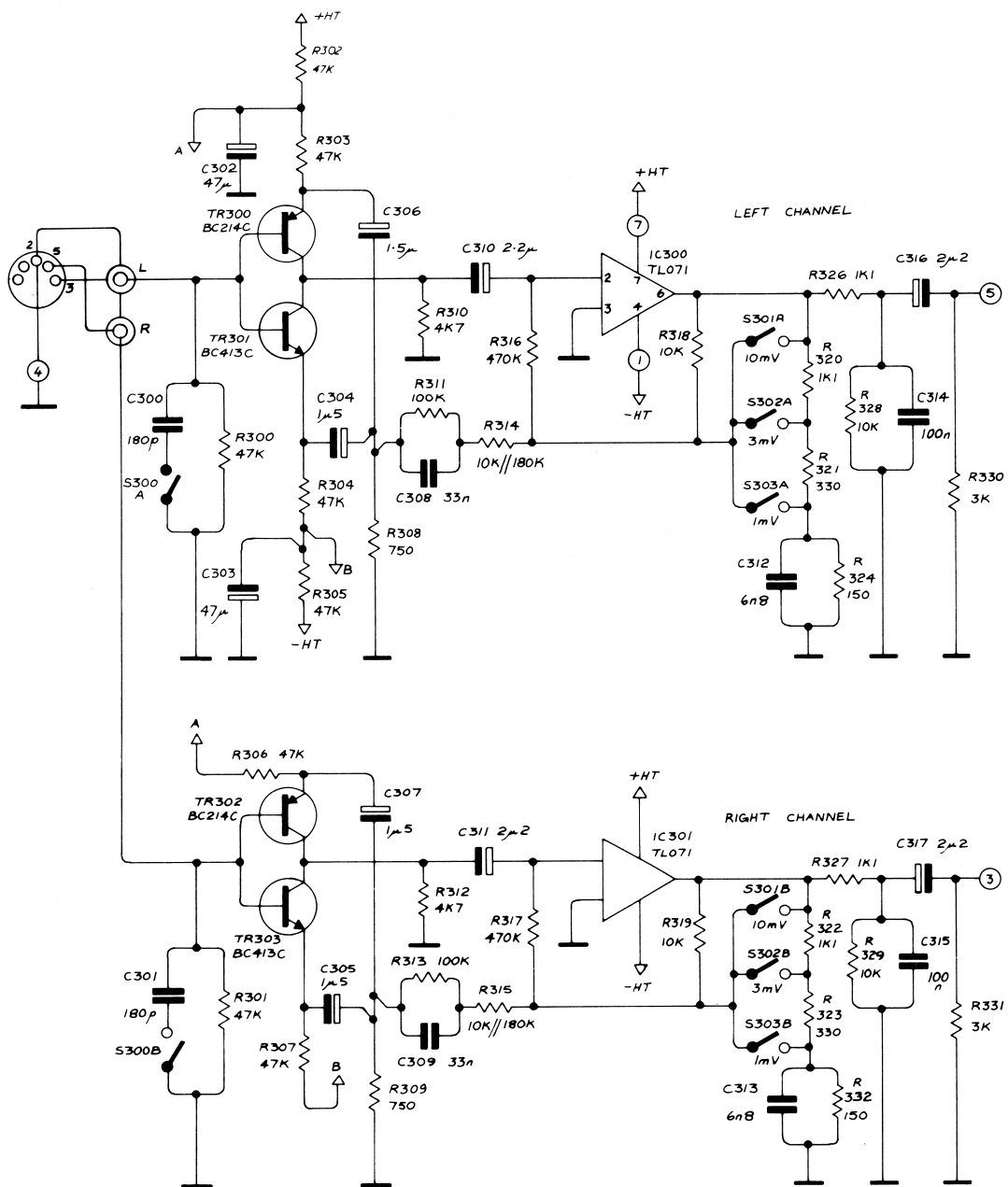


# QUAD 44

## CIRCUIT DIAGRAM

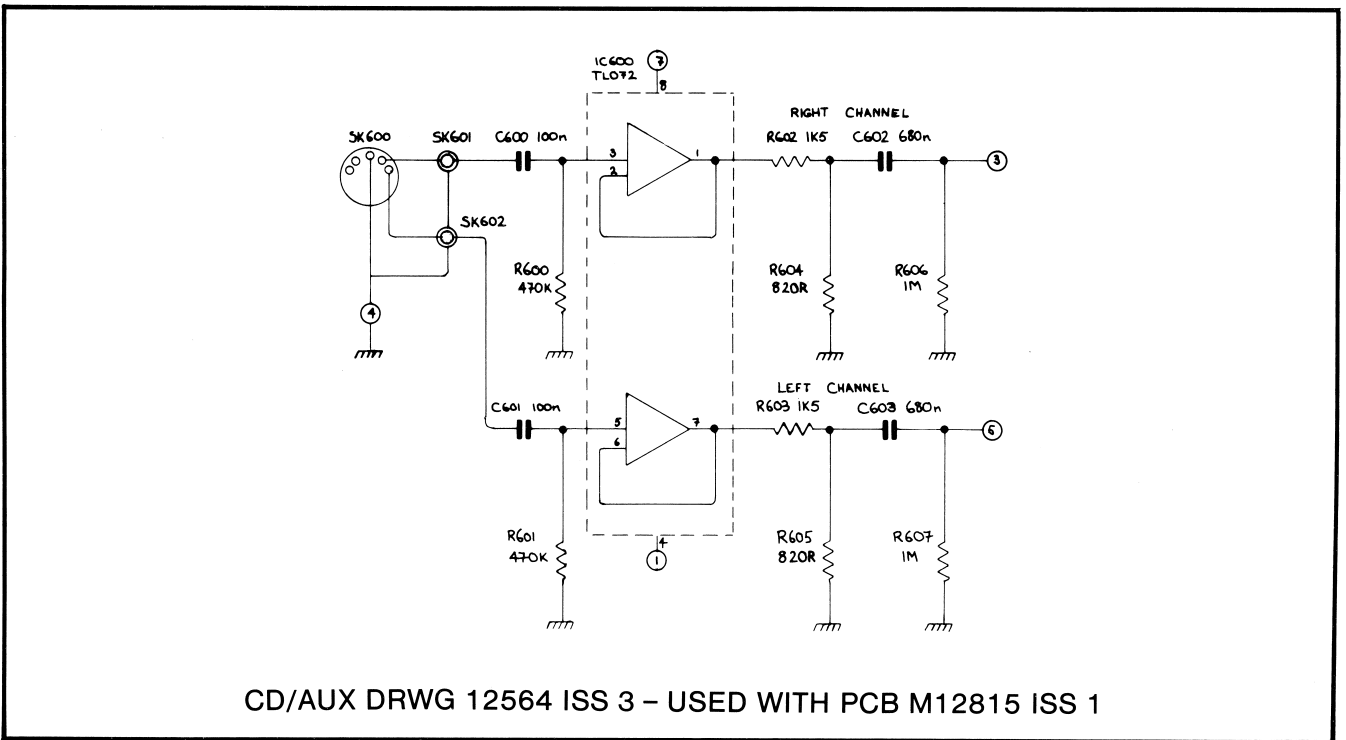
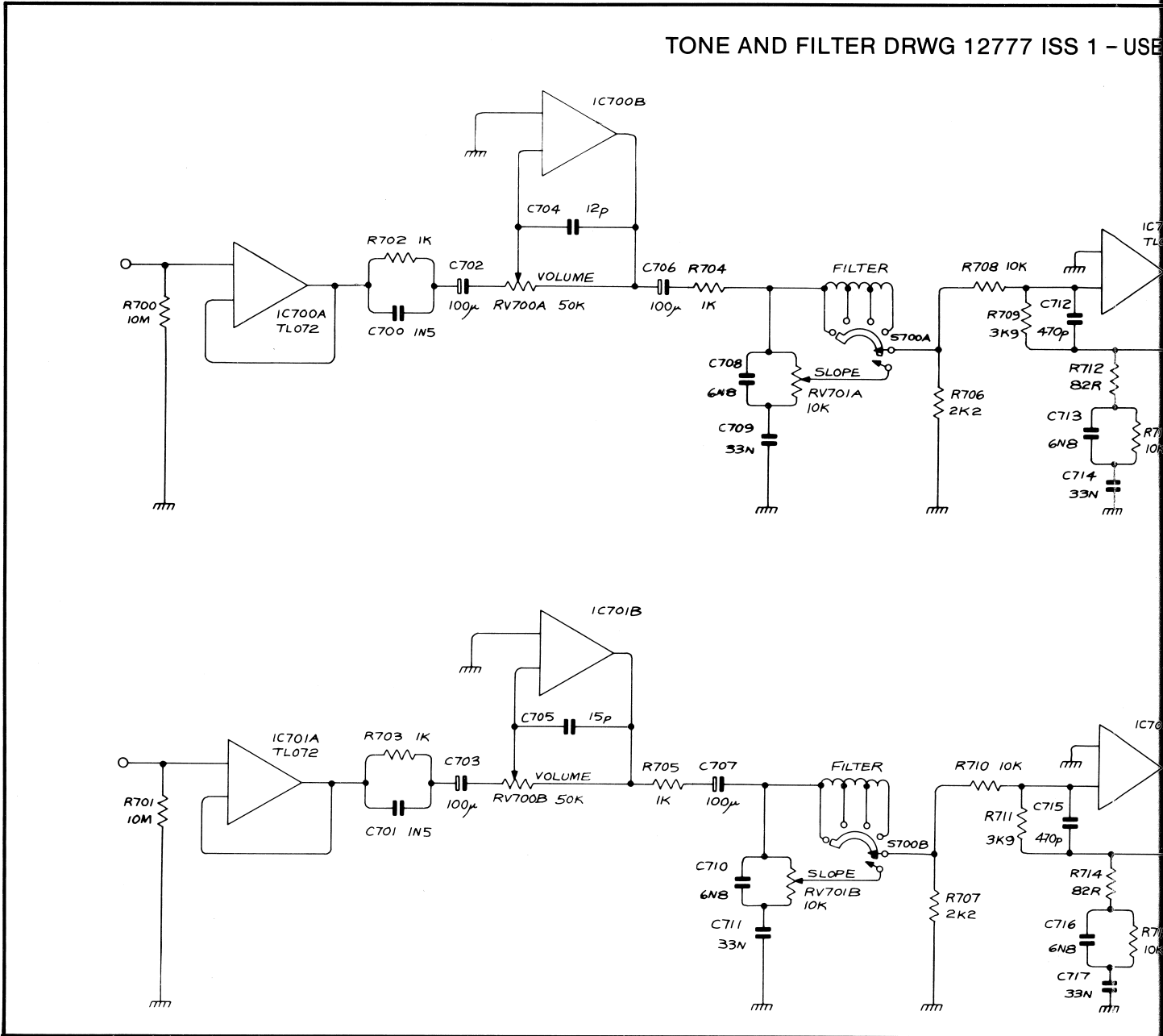
Quad Electroacoustics Co. Ltd.  
 St Peters Road, Huntingdon, Cambs, PE18 7DB, England  
 Telephone: 0480 52561 Telex 32348 QUAD G

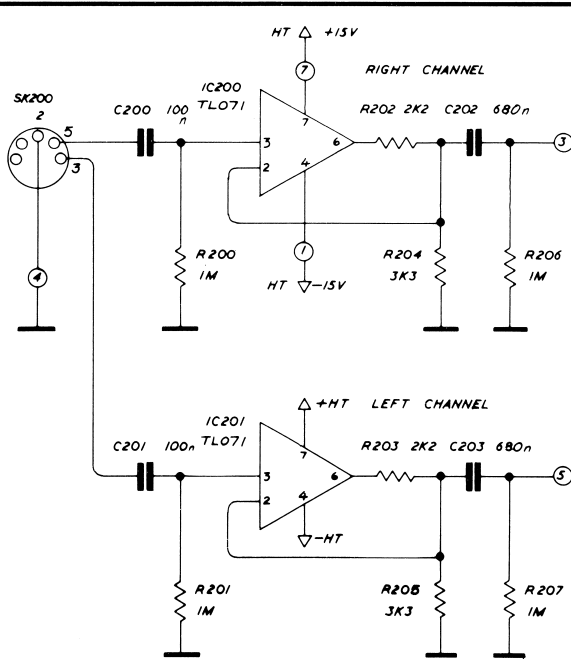
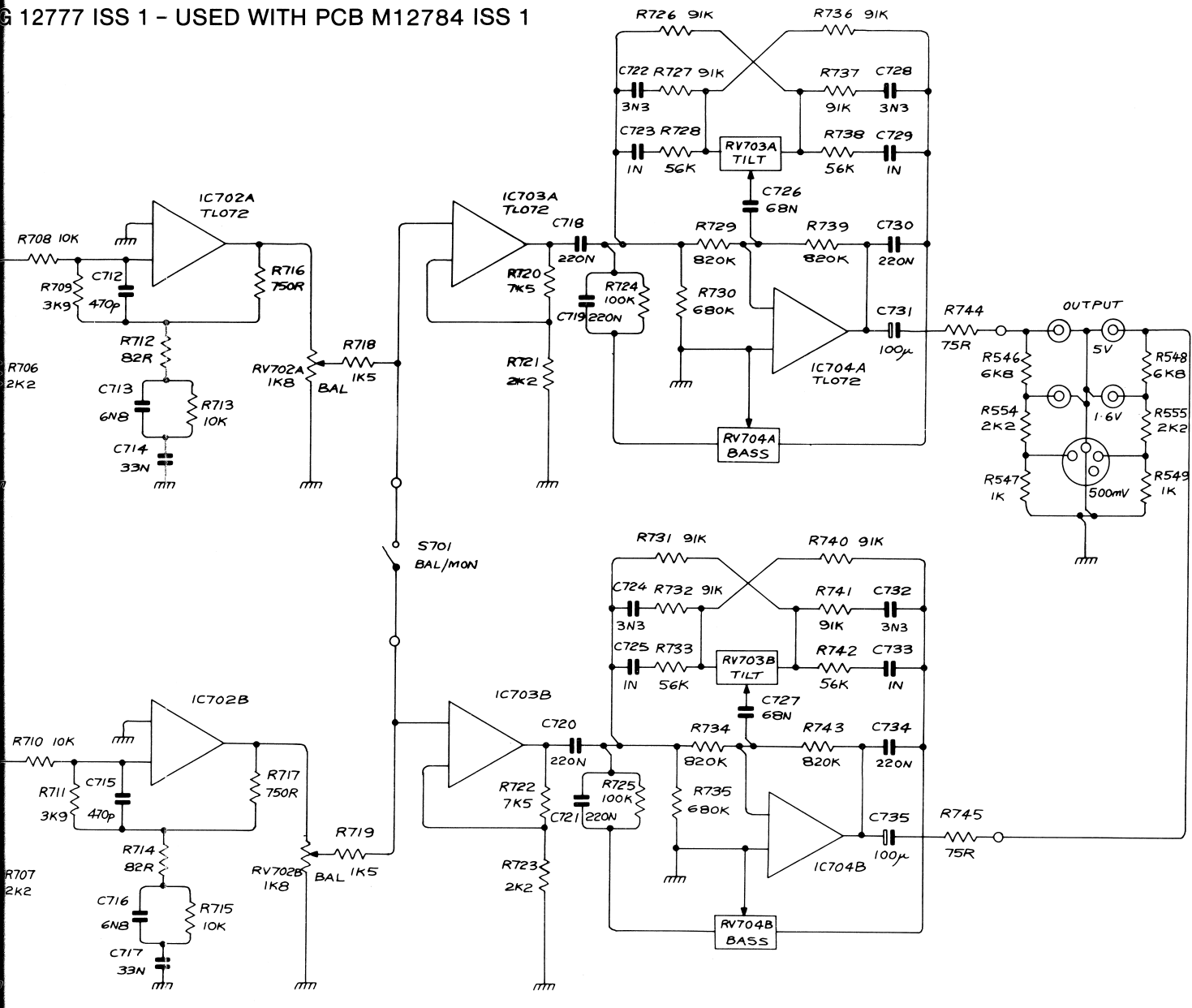




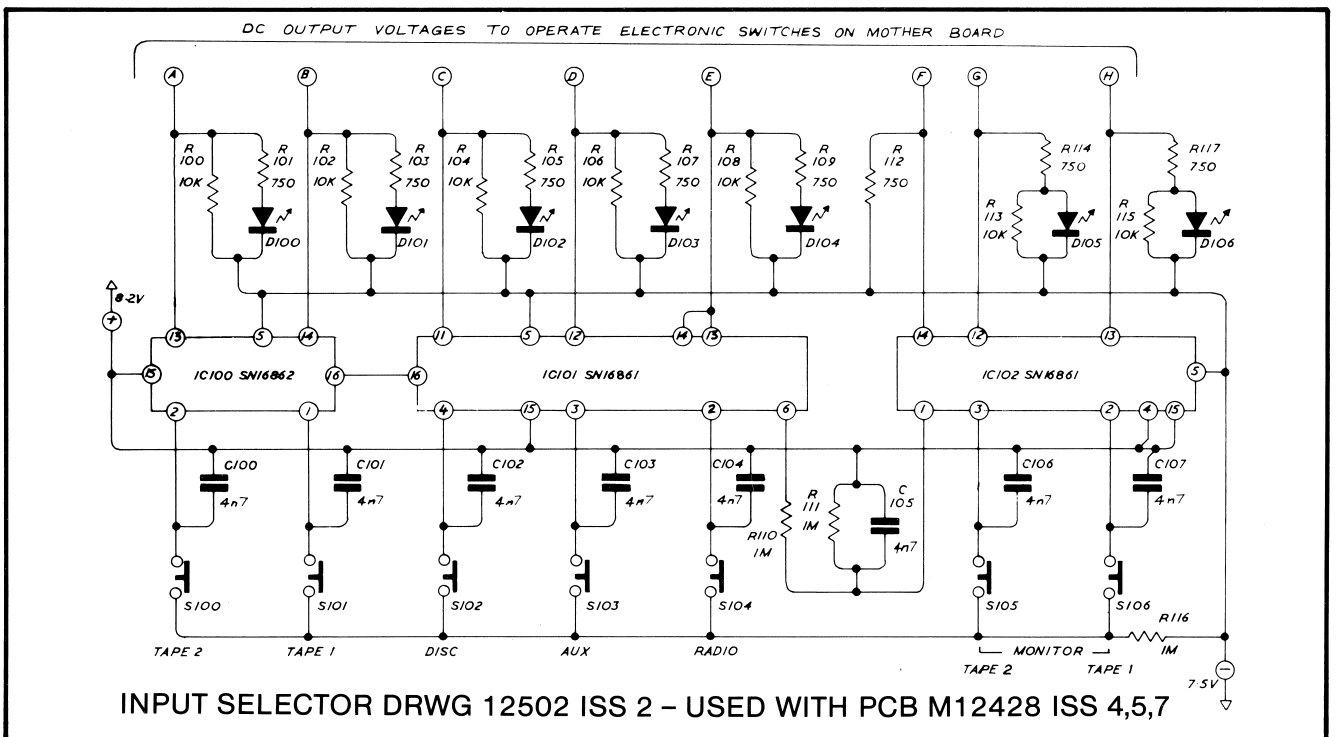
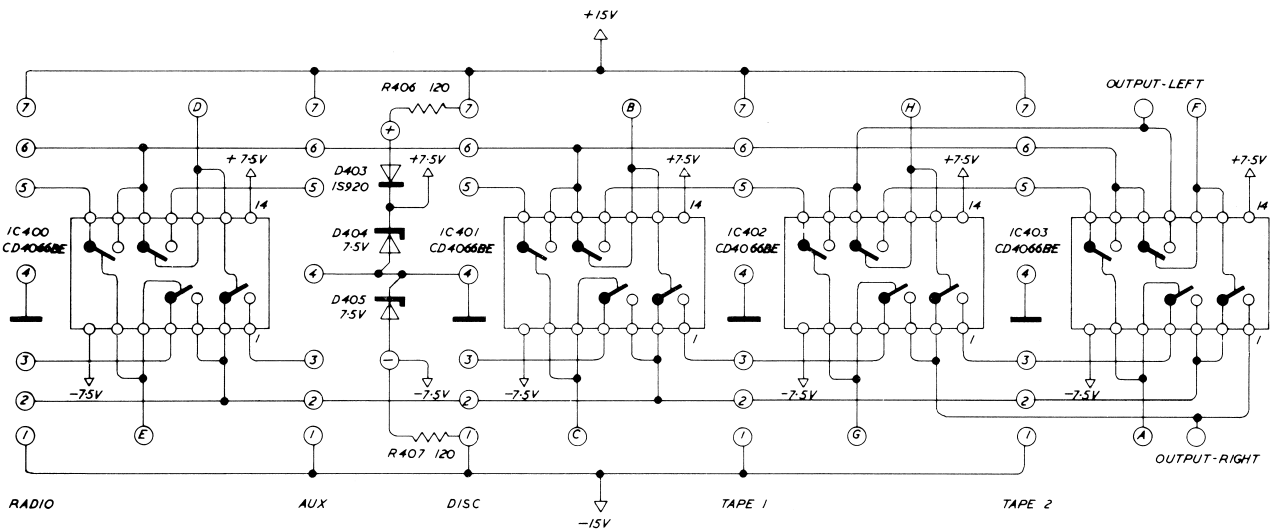
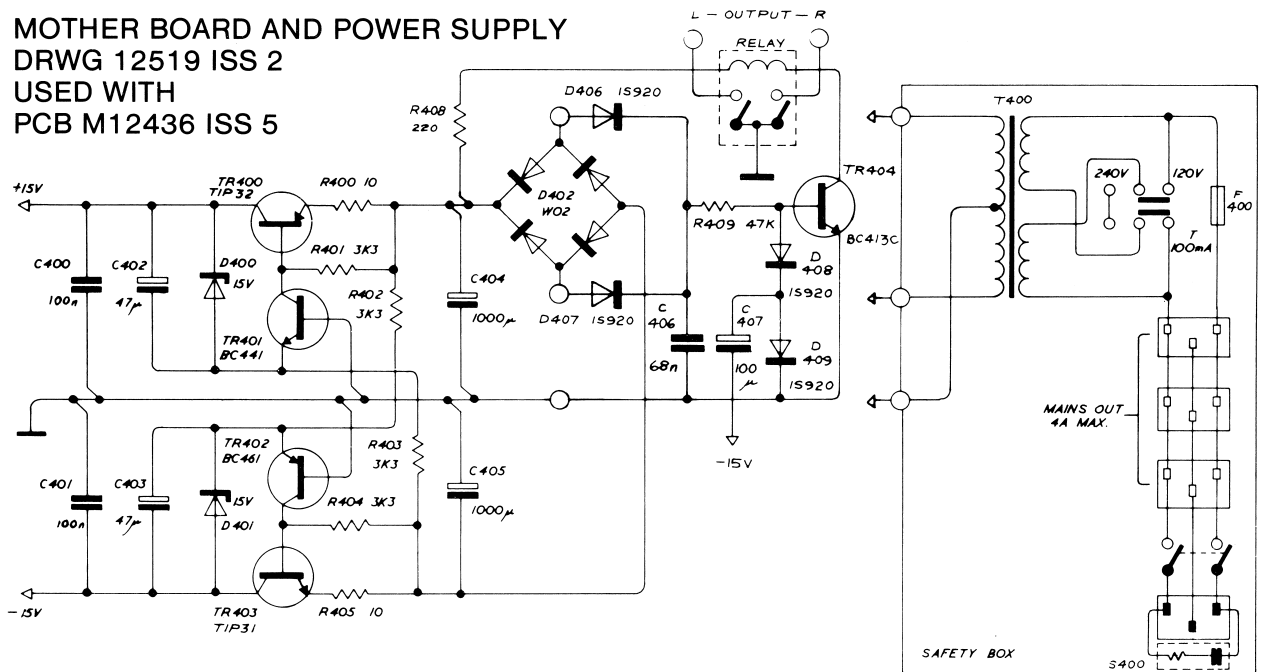
DISC DRWG 12518 ISS 2 - USED WITH PCB M12515 ISS 5

TONE AND FILTER DRWG 12777 ISS 1 - USE



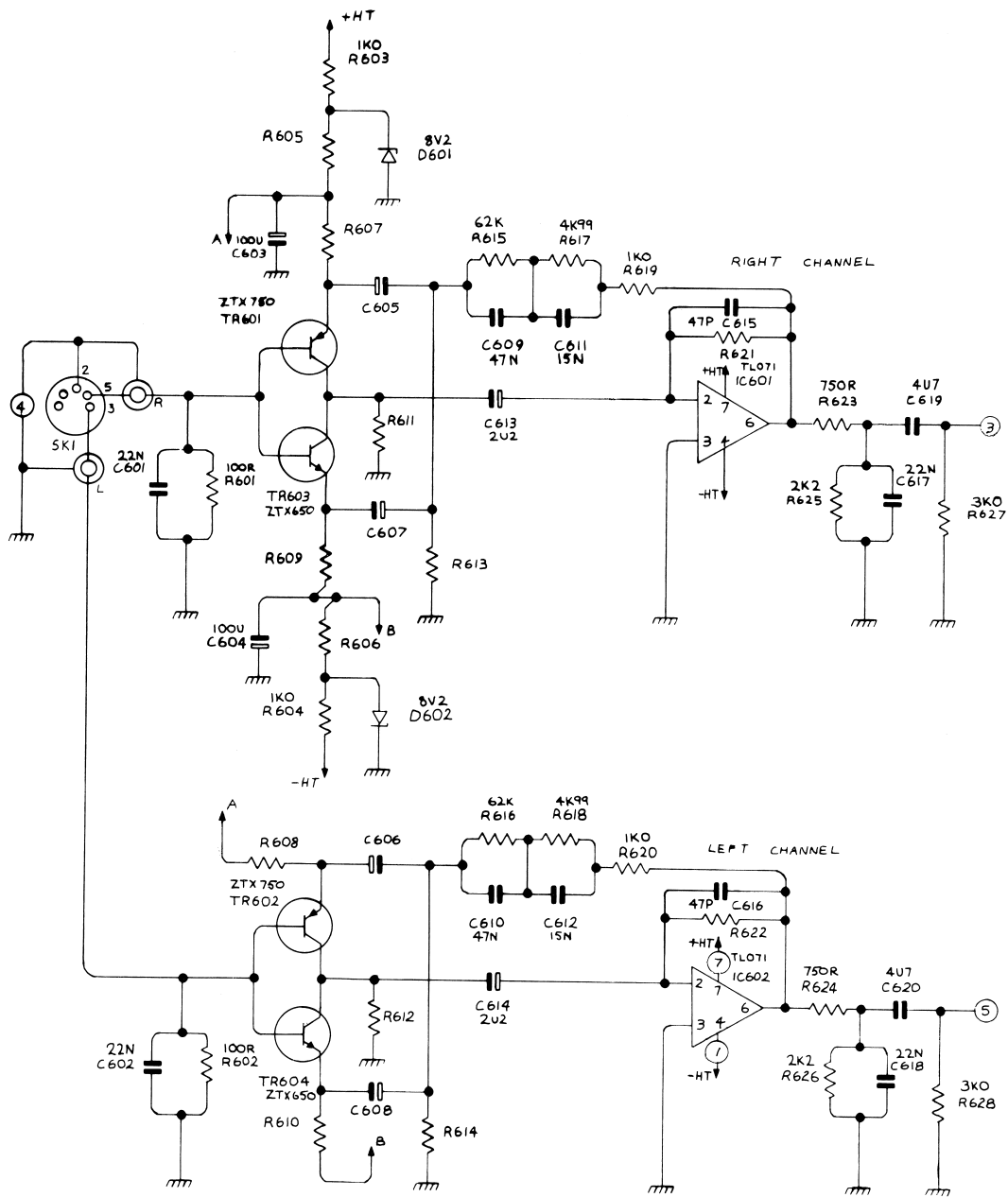


**MOTHER BOARD AND POWER SUPPLY**  
**DRWG 12519 ISS 2**  
**USED WITH**  
**PCB M12436 ISS 3**



VARIABLE VALUES

TYPE	4A	4B	4C
SENSITIVITY	200 $\mu$ V	100 $\mu$ V	400 $\mu$ V
R605, R606	1k2	560R	470R
R607, R608, R609, R610	12k	5k6	33k
R613, R614	10R	4R7	18R
R621, R622	820k	820k	1M
C605, C606, C607, C608	33 $\mu$	68 $\mu$	15 $\mu$



MOVING COIL DISC DRWG 12797 ISS 1 - USED WITH PCB M12542 ISS 5