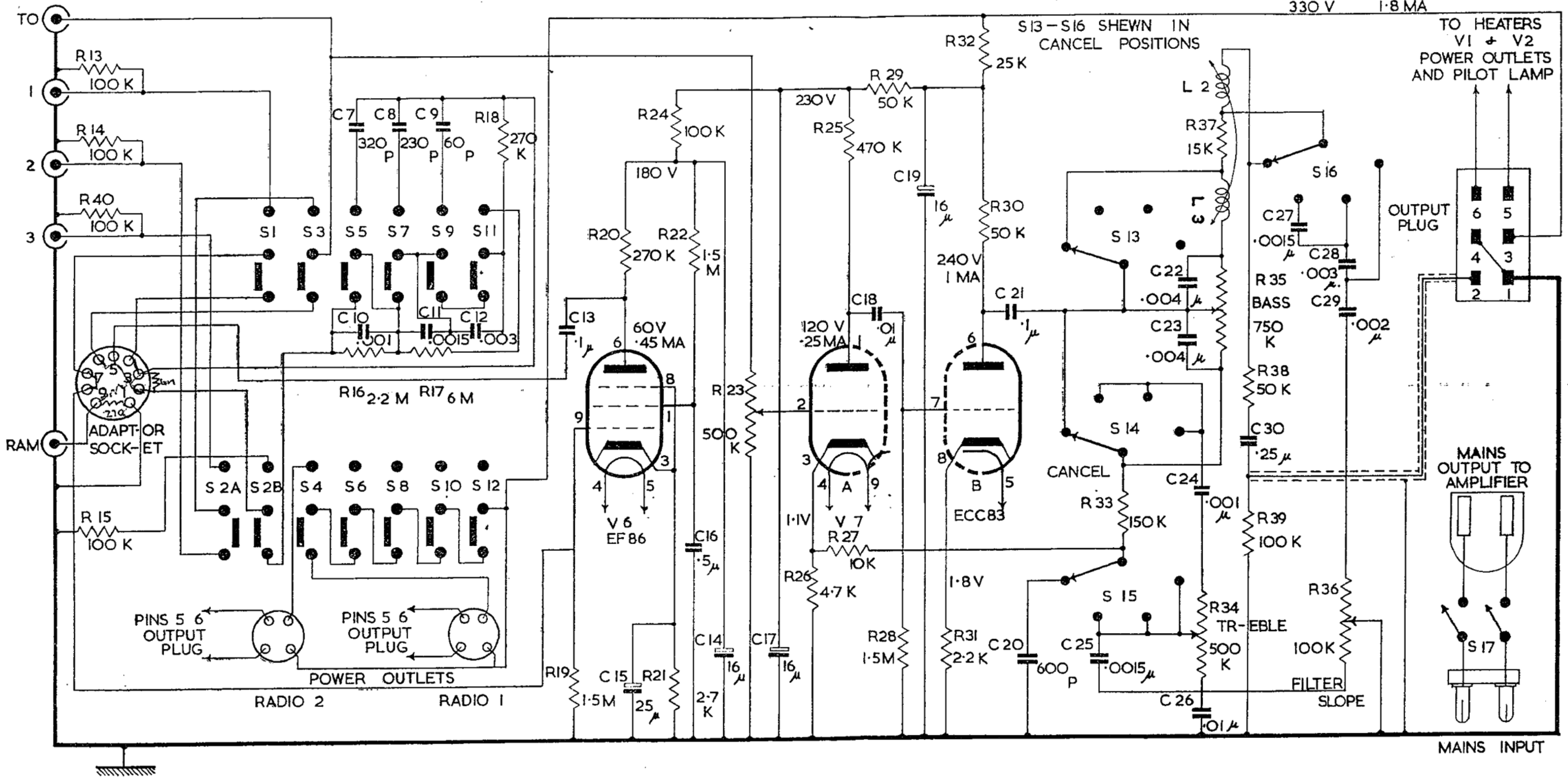


# QUAD II CONTROL UNIT

S1 - S12 SHEWN IN NEUTRAL POSITIONS

330 V 1.8 MA

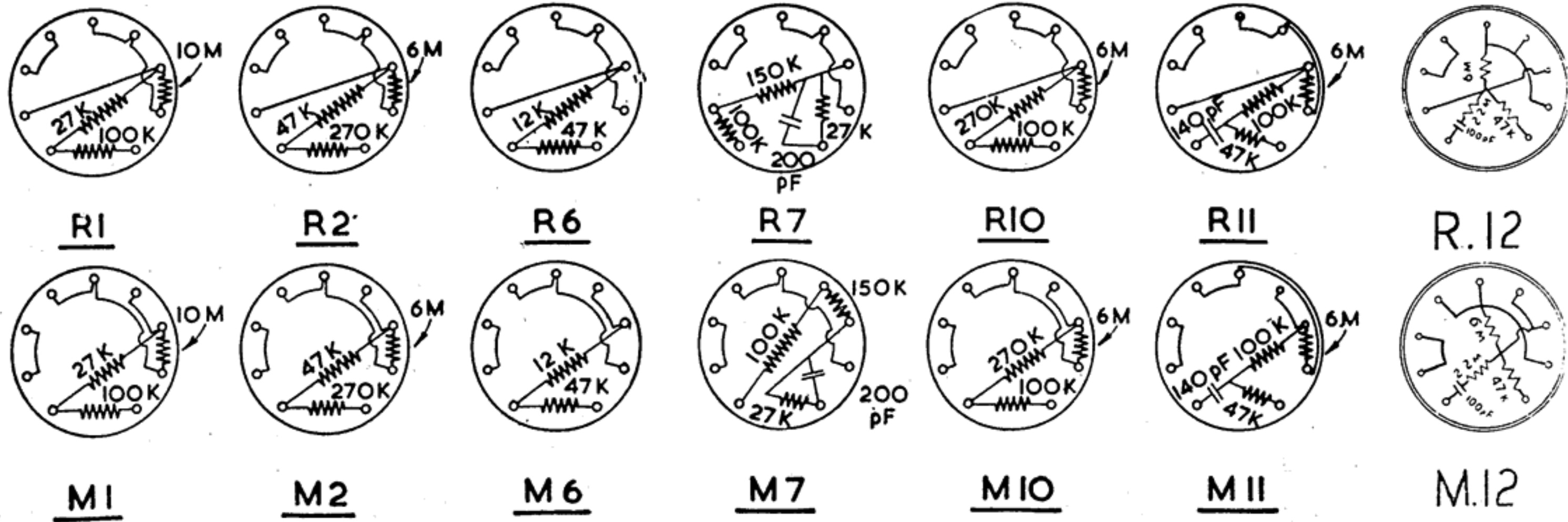


SWITCH GANGING :- S1-S2A-S2B S3-S4 S5-S6 S7-S8 S9-S10 S11-S12

S13-S14-S15-S16

On early models sockets TO and 3, and switch contacts S2A were omitted.

Voltages shown on this diagram are those actually present and allowance must be made for the loading effect of the meter used when measurements are made.



## THEORETICAL CIRCUIT DIAGRAMS — PICKUP ADAPTOR UNITS

Shown as viewed from the wiring end of pins. These diagrams may thus be superimposed directly on the socket shown on the QC II circuit diagram.